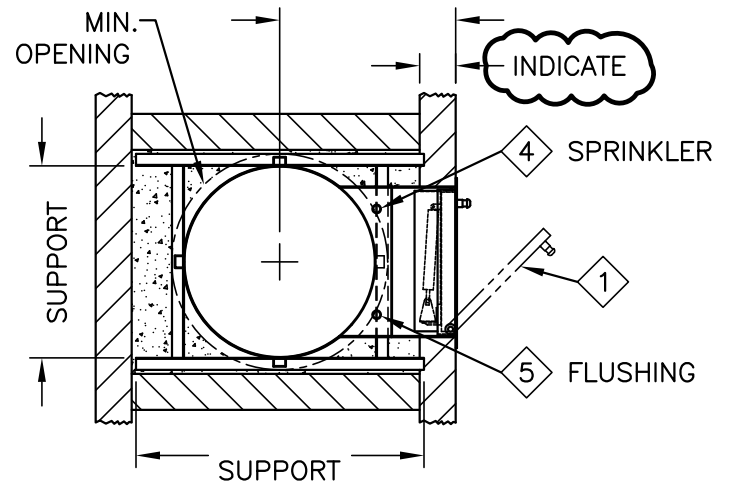
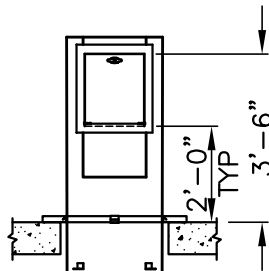
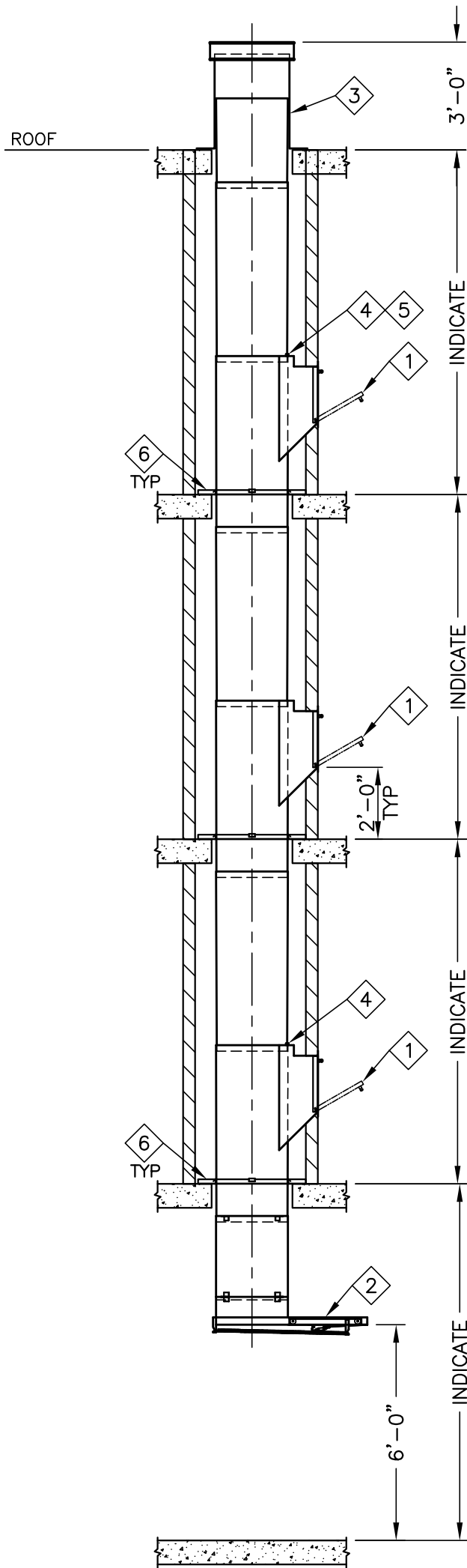
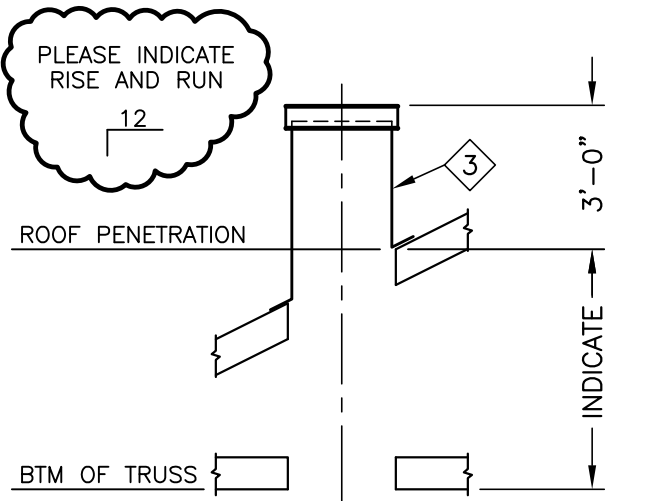


*** PLEASE VERIFY OR INDICATE WHERE NOTED ***



FLOOR SLAB OPENING _____ SQ. OR ROUND
IF THE CHUTE IS TO BE INSTALLED IN A CHASE
PLEASE INDICATE SIZE: _____ x _____

**INTAKE WALL MUST BE INSTALLED
AFTER CHUTE.**

BUILDING PREPARATIONS AND GENERAL NOTES

1. THE CHUTE SHALL BE INSTALLED AFTER THE BUILDING IS TOPPED.
2. ALL FLOORS MUST BE SET AND OPENING CLEAR OF OBSTACLES.
3. PROVIDE ROOF OPENING 2" LARGER THAN CHUTE DIAMETER.
4. DISCHARGE ROOMS ARE TO BE CLEARED OF STORED MATERIALS AND TRASH.
5. PLEASE INDICATE ALL OBSTRUCTIONS: BEAMS, COLUMNS, HEADERS OR RAFTERS.
6. ALL SECTIONS OF CHUTE CAN BE ROTATED IN 90° INTERVALS.
7. ALL FLOOR OPENINGS, CUTTING, PATCHING OR GROUTING BY OTHERS.
8. CHUTE GUARANTEE IS VOID IF CHUTE IS USED DURING CONSTRUCTION.
9. PARTITIONS AROUND CHUTE TO BE ERECTED AFTER CHUTE IS INSTALLED.

SPECIFICATIONS *VERIFY SPECS BELOW*

QTY _____ - CHUTE TO BE _____ DIAMETER AND
FABRICATED OF _____ STEEL.

INTAKES: _____ REQ'D

① _____ WIDE x _____ HIGH, _____ HINGED, HAND OPERATED, SELF-CLOSING, STAINLESS DOOR W/SATIN FINISH AND STEEL ANGLE FRAME, "B" LABEL, 1-1/2 HOUR, 250°F, 30 MINUTE TEMP. RISE WITH POSITIVE LATCHING KEY CYLINDER LOCKING T-HANDLE

HORIZONTAL ROLLING DISCHARGE:

② SPRING LOADED AND HELD OPEN WITH A 165° FUSIBLE LINK. FABRICATED WITH 12ga GALVANIZED PLATE AND 12ga FORMED CHANNEL. ATTACHED TO CHUTE WITH A-CLIPS.

③ VENT: _____ ROOF TYPE

_____ FULL _____ DIAMETER VENT WITH _____

SPRINKLER HEADS:

④ AUTOMATIC 155° BRASS 1/2" IPS SPRINKLER HEADS LOCATED ABOVE TOP INTAKE AND ALTERNATE INTAKES WITH MANDATORY SPRINKLER LOCATED AT LOWEST SERVICE LEVEL, READY FOR CONNECTION BY OTHERS.

FLUSHING HEAD:

⑤ BRASS _____ IPS FLUSHING SPRAY HEAD LOCATED ABOVE TOP INTAKE. READY FOR CONNECTION BY OTHERS.

⑥ CHUTE SUPPORTS: (Typical per floor)

FABRICATED FROM 1 1/2" x 1 1/2" x 1/8" STEEL ANGLE

ADDITIONAL ACCESSORIES: (PER CHUTE)

Valiant Products, Inc.

P.O. Box 405 • Lakeland, FL 33802

PH. (863) 688-7998

FAX (863) 683-9749

LICENSE #CS C033741

TITLE: TRASH CHUTE		PROJECT:	
SIGNATURE	DATE		
DRAWN:		DRAWING NO.	
CHK'D:			REV. —
APV'D:			
SCALE:	DO NOT SCALE DRAWING	SHEET of	

REV	DESCRIPTION	BY	DATE
-----	-------------	----	------