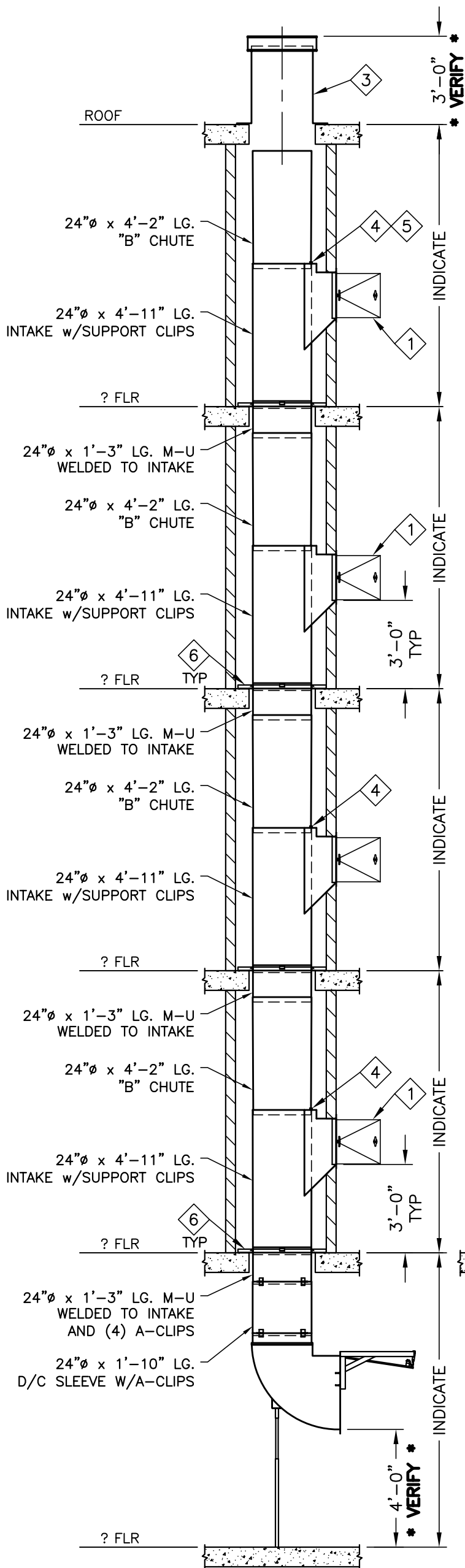
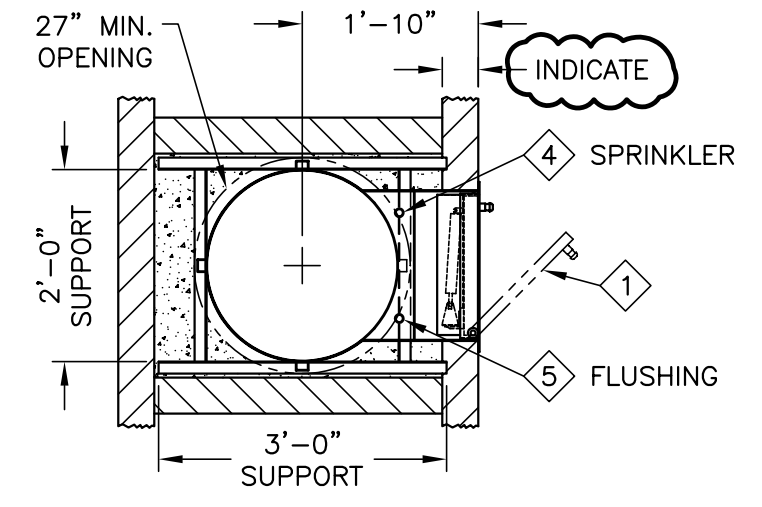


*** PLEASE VERIFY OR INDICATE WHERE NOTED ***



TO INSURE FLUSH DOOR INSTALLATION:

THE DISTANCE FROM THE CENTERLINE OF THE CHUTE OPENING TO THE FRONT OF FINISHED WALL MUST EQUAL THE DIMENSION SHOWN ON THE DRAWING. PLEASE VERIFY.



TYPICAL CHUTE SUPPORT

PLAN VIEW
SCALE: 1/2" = 1'-0"

FLOOR SLAB OPENING 27" SQ. OR ROUND
IF THE CHUTE IS TO BE INSTALLED IN A CHASE
PLEASE INDICATE SIZE: _____ x _____

INTAKE WALL MUST BE INSTALLED AFTER CHUTE.

BUILDING PREPARATIONS AND GENERAL NOTES

1. THE CHUTE SHALL BE INSTALLED AFTER THE BUILDING IS TOPPED.
2. ALL FLOORS MUST BE SET AND OPENING CLEAR OF OBSTACLES.
3. PROVIDE ROOF OPENING 2" LARGER THAN CHUTE DIAMETER.
4. TRASH ROOMS ARE TO BE CLEARED OF STORED MATERIALS AND TRASH.
5. PLEASE INDICATE ALL OBSTRUCTIONS: BEAMS, COLUMNS, HEADERS OR RAFTERS.
6. ALL SECTIONS OF CHUTE CAN BE ROTATED IN 90° INTERVALS.
7. ALL FLOOR OPENINGS, CUTTING, PATCHING OR GROUTING BY OTHERS.
8. CHUTE GUARANTEE IS VOID IF CHUTE IS USED DURING CONSTRUCTION.
9. PARTITIONS AROUND CHUTE TO BE ERECTED AFTER CHUTE IS INSTALLED.

SPECIFICATIONS *VERIFY SPECS BELOW*

QTY ONE - CHUTE TO BE 24" DIAMETER AND FABRICATED OF 16ga ALUMINIZED STEEL.

INTAKES: _____ REQ'D
① _____ WIDE x _____ HIGH, _____ HINGED, HAND OPERATED, SELF-CLOSING, STAINLESS DOOR W/SATIN FINISH AND STEEL ANGLE FRAME, "B" LABEL, 1-1/2 HOUR, 250°F, 30 MINUTE TEMP. RISE WITH POSITIVE LATCHING KEY CYLINDER LOCKING T-HANDLE

HOPPER DISCHARGE w/PEDESTAL:
② 24" WIDE x 30" HIGH, VERTICAL HOPPER TYPE, "B" LABEL CONSTRUCTION. HELD OPEN WITH 165° FUSIBLE LINK. COMPLETE WITH 1 1/2" SQ. SUPPORT PEDESTAL.

VENT: _____ FLAT ROOF TYPE
③ FULL DIAMETER VENT WITH METAL SAFETY CAP AND FLASHING.

SPRINKLER HEADS:
④ AUTOMATIC 155° BRASS 1/2" IPS SPRINKLER HEADS LOCATED ABOVE TOP INTAKE AND ALTERNATE INTAKES WITH MANDATORY SPRINKLER LOCATED AT LOWEST SERVICE LEVEL, READY FOR CONNECTION BY OTHERS.

FLUSHING HEAD:
⑤ BRASS 1/2" IPS FLUSHING SPRAY HEAD LOCATED ABOVE TOP INTAKE. READY FOR CONNECTION BY OTHERS.

CHUTE SUPPORTS: (Typical per floor)
⑥ FABRICATED FROM 1 1/2" x 1 1/2" x 1/8" STEEL ANGLE

ADDITIONAL ACCESSORIES: (PER CHUTE)

SUBMITTAL
DO NOT BUILD

CONTRACTOR TO VERIFY ALL DIMENSIONS ON THIS DRAWING WITH FIELD CONDITIONS. VALIANT PRODUCTS WILL NOT BE RESPONSIBLE FOR ANY DEVIATIONS UNLESS SO NOTED. APPROVAL OF THIS SHEET CONSTITUTES APPROVAL OF ALL SHEETS IN THIS SET.

AS SUBMITTED AS NOTED
DATE: _____
BY: _____
DELIVERY REQ'D.: _____

Valiant Products, Inc. PH. (863) 688-7998
P.O. Box 405 • Lakeland, FL 33802 FAX (863) 683-9749
LICENSE #CS C033741

TITLE:		PROJECT:	
SIGNATURE	DATE	DRAWING NO. _____ REV. _____	
DRAWN: JTW			
CHK'D:			
APV'D:			
SCALE: 1/4" = 1'		DO NOT SCALE DRAWING	